



Laser Diode ZBD-LD-655-1200M-FS

ZBD-LD-655-1200M-FS is a multimode laser diode with 1.2W CW output power at 655nm. Its beam pattern is square with $10^\circ \times 10^\circ$ ($\theta_{//} \cdot \theta_{\perp}$). It is supplied in a 9.0mm floating mounted TO-CAN package. The laser diode is suitable for opto-electronic applications.

■ Absolute Maximum Ratings

Parameter	Symbol	Conditions	Value	Unit
Output Optical Power	Po	CW	1.2	W
		Pulse Duty $\leq 33\%$, Frequency $\geq 50\text{Hz}$	1.5	W
Reverse Voltage ($T_c=25^\circ\text{C}$)	Vr (LD)		2	V
Storage Temperature	T _{stg}		-40~+85	$^\circ\text{C}$
Operating Case Temperature	T _c		-10~40	$^\circ\text{C}$

■ Initial Electrical/Optical Characteristics ($T_c=25^\circ\text{C}$)

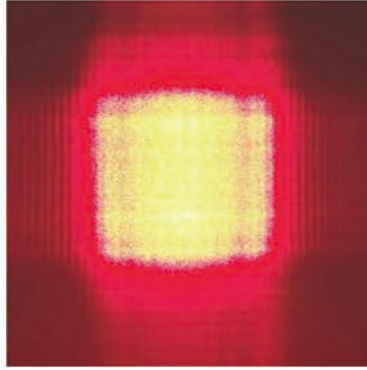
Parameter	Symbol	Condition	Min	Typ.	Max	Unit	
Threshold Current	I _{th}	CW	-	340	440	mA	
Operating Current	I _{op}	CW, P = 1.2W	-	1.3	1.6	A	
Operating Voltage	V _{op}	CW, P = 1.2W	-	2.3	2.7	V	
Peak Wavelength	λ_p	CW, P = 1.2W	650	655	660	nm	
Beam Divergence*	Parallel	$\theta_{//}$	CW, P = 1.2W	3	10	20	$^\circ$
	Perpendicular	θ_{\perp}	CW, P = 1.2W	3	10	20	$^\circ$

() are reference figures.

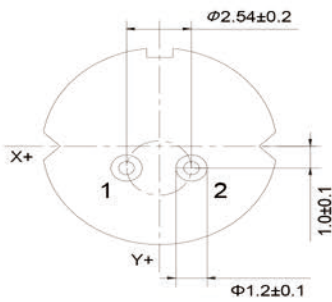
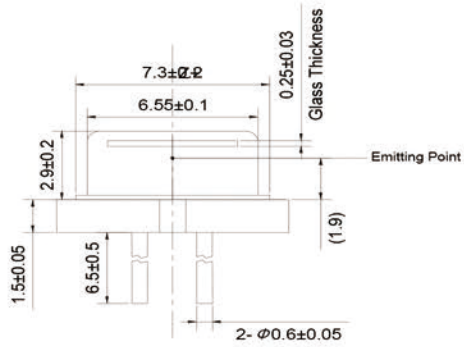
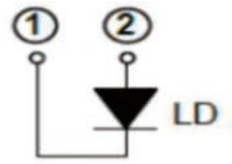
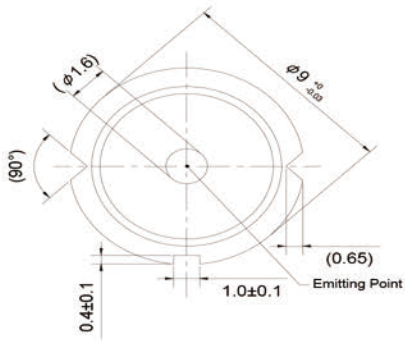
* Full angle at $1/e^2$ from peak intensity



■ Beam Pattern



■ Outline Dimension



Unit: mm