



## Laser Diode ZBD-LD-655-1200M-F101

ZBD-LD-655-1200M-F01 is a multimode laser diode with 1.2W CW output power at 655nm. Its beam pattern is Linear with  $10^\circ \times 1^\circ$  ( $\theta_{//} \cdot \theta_{\perp}$ ). It is supplied in a 9.0mm floating mounted TO-CAN package. The laser diode is suitable for opto-electronic applications.

### ■ Absolute Maximum Ratings

Parameter	Symbol	Conditions	Value	Unit
Output Optical Power	Po	CW	1.2	W
		Pulse Duty $\leq 33\%$ , Frequency $\geq 50\text{Hz}$	1.5	W
Reverse Voltage (Tc=25°C)	Vr (LD)		2	V
Storage Temperature	T <sub>stg</sub>		-40~+85	°C
Operating Case Temperature	T <sub>c</sub>		-10~40	°C

### ■ Initial Electrical/Optical Characteristics (Tc=25°C)

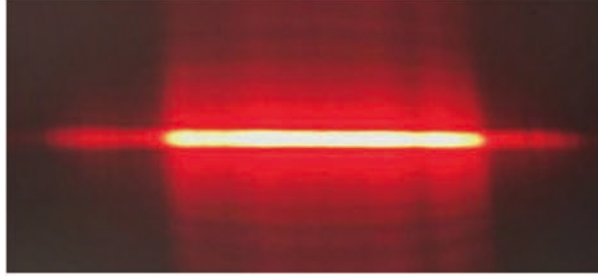
Parameter	Symbol	Condition	Min	Typ.	Max	Unit	
Threshold Current	I <sub>th</sub>	CW	-	340	440	mA	
Operating Current	I <sub>op</sub>	CW, P = 1.2W	-	1.3	1.6	A	
Operating Voltage	V <sub>op</sub>	CW, I <sub>P</sub> = 2.5A P = 1.2W	-	2.3	2.7	V	
Peak Wavelength	$\lambda_p$	CW, P = 1.2W	650	655	660	nm	
Beam Divergence*	Parallel	$\theta_{//}$	CW, I <sub>P</sub> = 2.5A P = 1.2W	3	10	20	°
	Perpendicular	$\theta_{\perp}$	CW, P = 1.2W	0.8	1.0	1.2	°

( ) are reference figures.

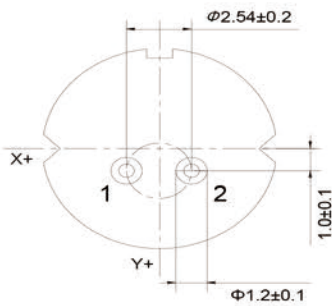
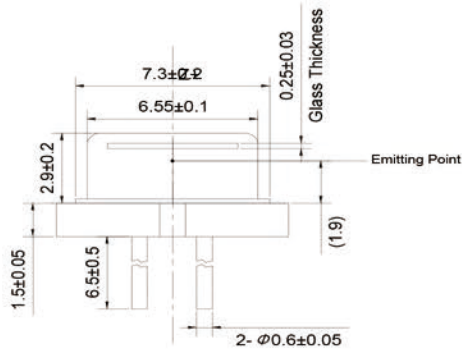
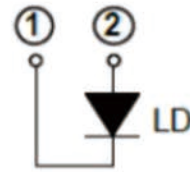
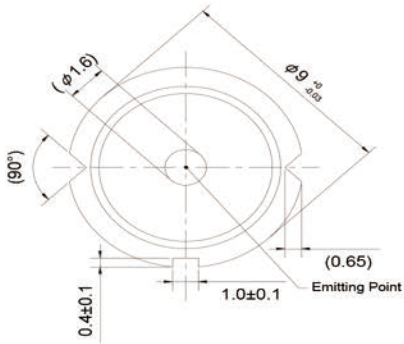
\* Full angle at 1/e<sup>2</sup> from peak intensity



## ■ Beam Pattern



## ■ Outline Dimension



Unit: mm